

# Current Loop Control

## A2007 series



### Features

The [A2007](#) series current loop control units are designed to be used as a 4-20mA signal source. The units are loop powered, so no additional power supply is necessary.

Usage.

- Human machine interface
- Loop testing
- Software testing
- Alarm testing
- PID controller testing
- Actuator testing.

### Type denominator

- A2007B      Boxed unit with indicator and 10 turn potentiometer
- A2007C      PCB unit with single turn potentiometer.
- A2007E      PCB panel mount unit with 10 turn precision potentiometer.
- .....-X      Extended range version according Namur NE43 3,4-21,5 mA range
- .....-SP      Special range version 1,6 to 26mA

	<a href="#">A2007B-4M</a>	<a href="#">A2007B-DIN</a>	<a href="#">A2007C</a>	<a href="#">A2007E</a>	<a href="#">A2007E-X</a>	<a href="#">A2007E-SP</a>
Indicator	Analog	Analog	No	No	No	No
Potentiometer	10 turn precision	10 turn precision	Single turn	10 turn precision	10 turn precision	10 turn precision
Material axle	Metal	Metal	Plastic	Plastic	Plastic	Plastic
Low (mA)	4,00	4,00	4,00	4,00	3,40	1,60
High (mA)	20,00	20,00	20,00	20,00	21,50	26,00
Accuracy	1%	1%	1%	1%	1%	5%
Low min. (mA)	3,96	3,96	3,96	3,96	3,35	1,56
Low max. (mA)	4,00	4,00	4,00	4,00	3,40	1,63
High min. (mA)	20,00	20,00	20,00	20,00	21,50	25,50
High max. (mA)	20,20	20,20	20,20	20,20	21,70	26,50
Supply min. (V)	8,0	8,0	7,2	7,2	7,2	7,2
Supply max. (V)	32,0	32,0	32,7	32,7	32,7	32,7
Connection	4mm Lab	Din 43650	Screw terminal	Screw terminal	Screw terminal	Screw terminal
Mounting	n.a.	n.a.	Ø10mm	Ø 9,5mm	Ø 9,5mm	Ø 9,5mm
Weight	210gr	210gr	17gr	24gr	24gr	24gr

**Pictures**



A2007B-4M



A2007B-DIN

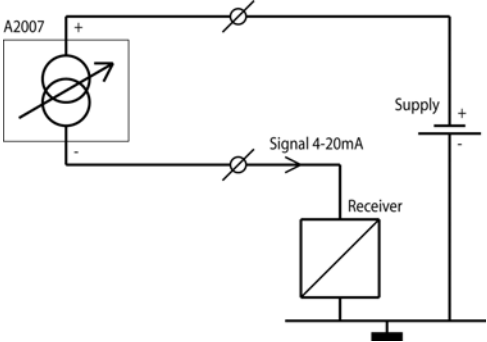


A2007C

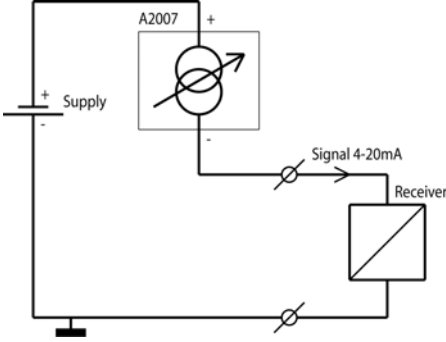


A2007E

**Connection diagrams**

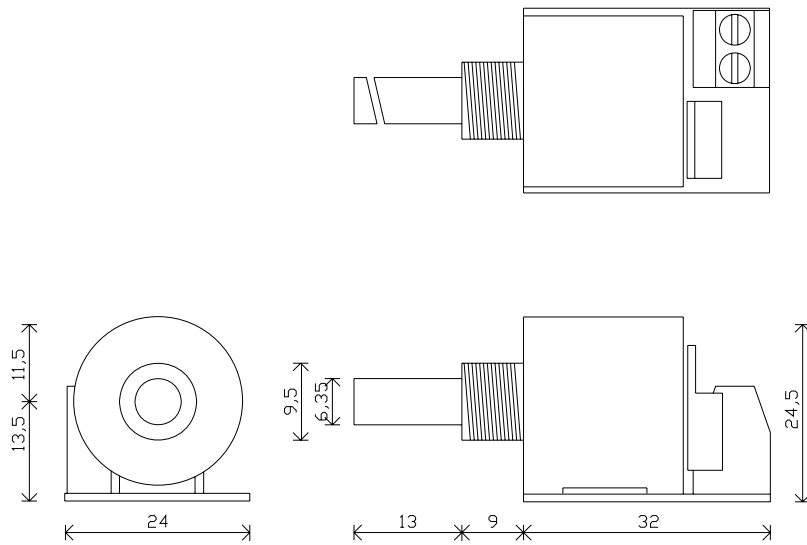


2 wire connection

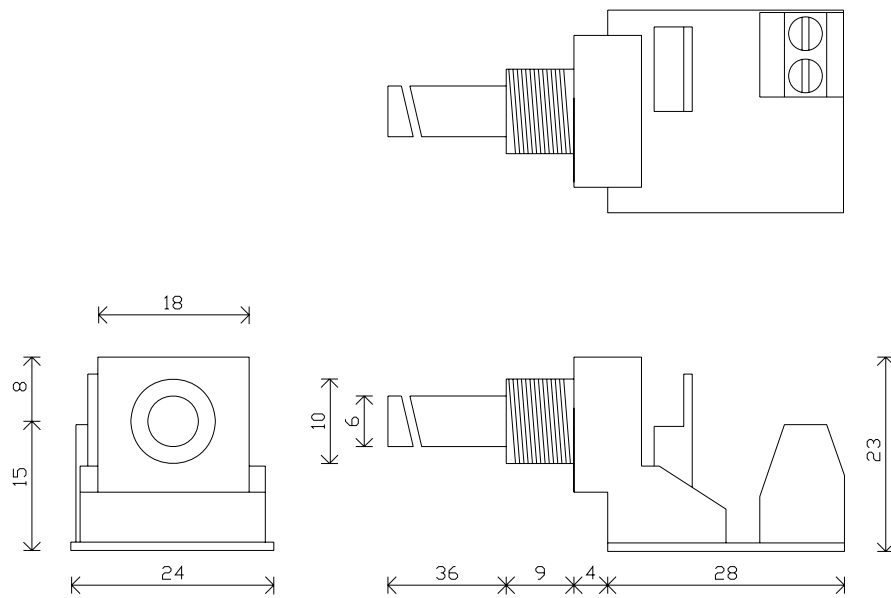


4 wire connection

## Dimensional drawings

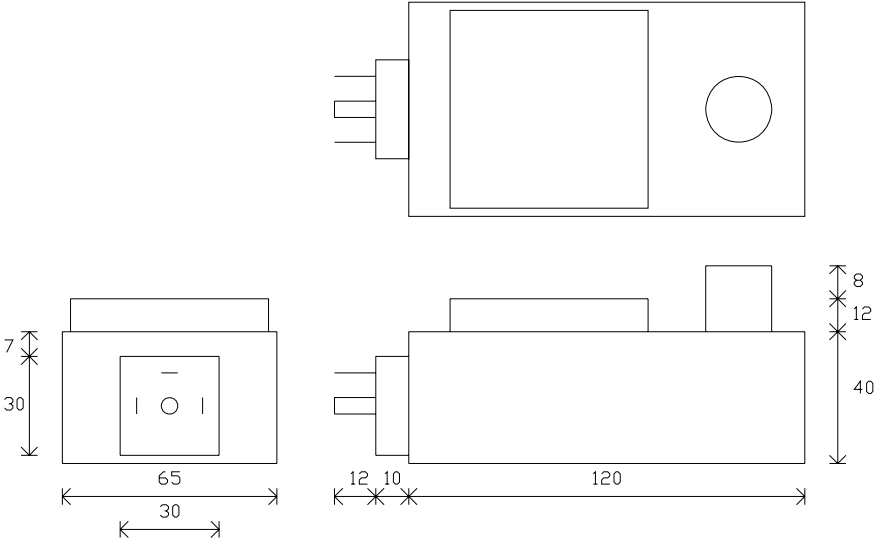


A2007E



A2007C

# Dimensional drawings



A2007B

© 2012  
Divize b.v.  
Boezemweg 23e  
2641KG PIJNACKER  
Netherlands  
[www.divize.nl](http://www.divize.nl)  
[info@divize.nl](mailto:info@divize.nl)

Revision 05: march 16, 2012